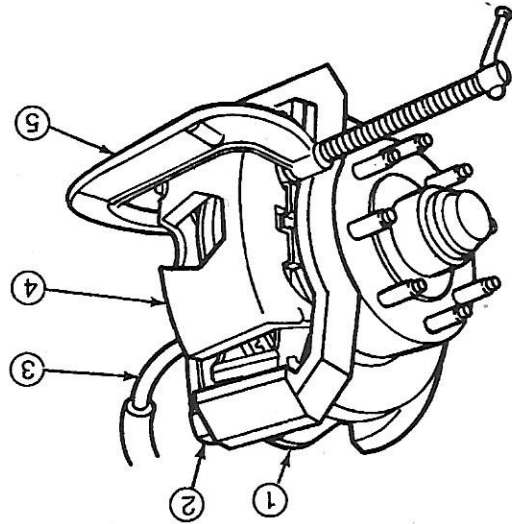


REMOVAL AND INSTALLATION (Continued)

Front Disc Brake Caliper
Removal

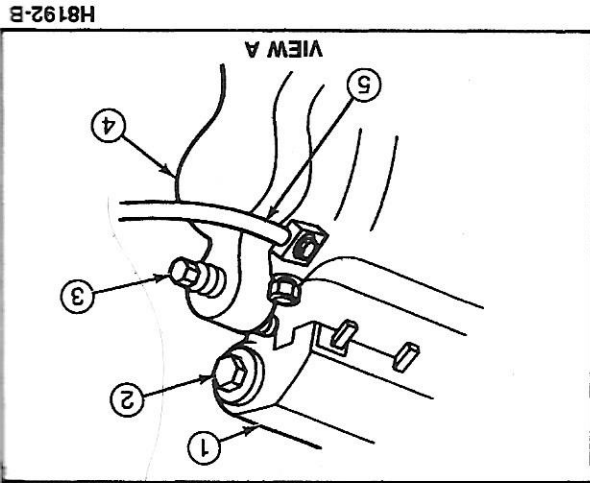
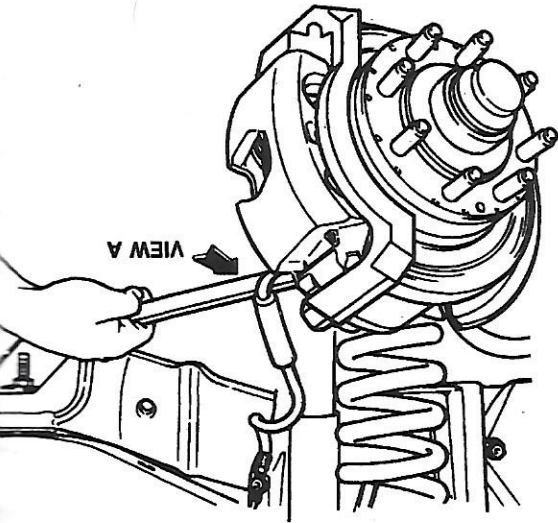
1. To avoid fluid overflow when the caliper pistons (2196) are pressed into the caliper bores, siphon or dip part of the brake fluid out of the brake master cylinder reservoir (2K478). Discard the removed fluid.
2. NOTE: When raising the vehicle make sure the hoist lift points do not rest on the caliper pins. Raise the vehicle on a hoist and install safety stands. Remove the wheel (1007) and tire.
3. NOTE: Do not use a screwdriver or similar tool to pry the caliper piston away from the front disc brake hub and rotor (1102).
Place an appropriate size C-clamp on the disc brake caliper with end of clamp frame against caliper housing and end of clamp screw against outer shoe. Tighten the clamp to bottom the caliper pistons in the caliper bores. Remove the C-clamp.



H8191-D

Item	Part Number	Description
1	2B292	Anchor Bracket
2	N807794-S60	Anchor Bolt, M16 x 2.0 x 50 (2 Req'd)
3	2078	Front Brake Hose
4	2B121	Disc Brake Caliper
5	—	C-Clamp

4. Remove both caliper slide pins. Examine the slide pins and caliper pin insulators to make sure that they are not damaged. Replace if necessary.



H8192-B

Item	Part Number	Description
1	2B292	Anchor Bracket
2	N807794-S60	Anchor Bolt, M16 x 2.0 x 50 (2 Req'd)
3	—	Caliper Pin (Part of 2B120)
4	2B120	Disc Brake Caliper
5	2078	Front Brake Hose

5. CAUTION: Do not let the disc brake caliper (2B120) hang by the front brake hose (2078). The front brake hose could become stretched or twisted, which can cause the front brake hose to leak and rupture, resulting in failure.
Remove the disc brake caliper.